

BACKHOE LOADER | ICX SERIES



Big solution in a small package

Superb manoeuvrability lets you operate in tight areas

Wide choice of loader and backhoe attachments increases versatility



The smallest model in the JCB backhoe loader range, the 1CX, brings backhoe performance to previously inaccessible areas.

The 1CX at just 1.4 metres wide, with the ability to turn on its own axis, operates in virtually any environment. It's fitted with a universal quickhitch so you can pick up a vast range of attachments with minimum fuss, and a low centre of gravity improves stability for safer operations.

The 1CX backhoe comes with full side-shift capability and, with a reach of over 3.38 metres, allows you to dig a long trench with minimal time needed for repositioning.

Operator comfort and safety are paramount in the 1CX, so you'll also find a ROPS/FOPS operator environment along with low-effort servo controls for easier operation of the loader and transmission.

In addition, a full servo controlled hydrostatic transmission gives zero to maximum speed, both in forward and reverse, at full power.

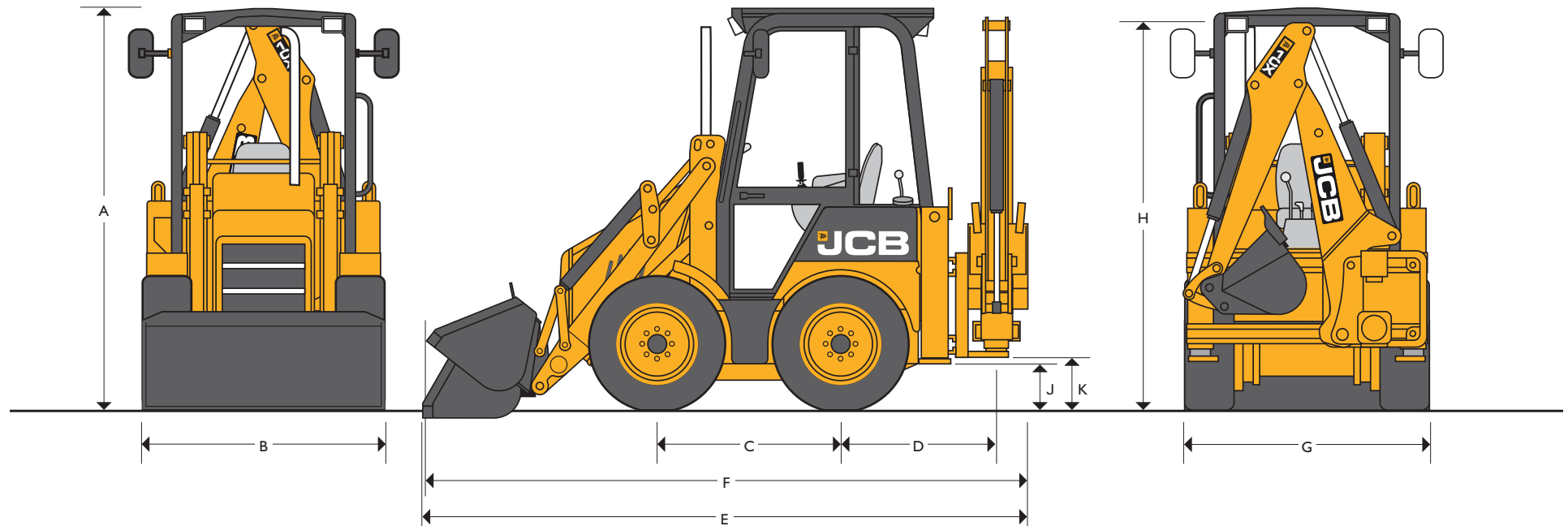
This machine may be small in size but it's big on performance, versatility and manoeuvrability, making it indispensable.







MAX. ENGINE POWER: 37.3kW (50hp) MAX. BACKHOE DIG DEPTH (STANDARD DIPPER): 2.55 metres (8ft 4in) MAX. LOADER CAPACITY: 610kg (1345lb)

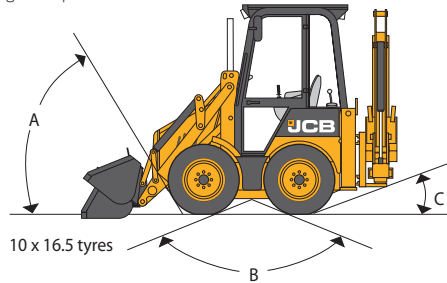


STATIC DIMENSIONS

Machine model	ICX (7x15 Tyres)	ICX (10x16.5 Tyres)	Machine model	ICX (7x15 Tyres)	ICX (10x16.5 Tyres)
	m (ft-in)	m (ft-in)		m (ft-in)	m (ft-in)
A Overall height	2.26 (7-4)	2.25 (7-4)	F Total travel length (Shovel in carry position)	3.31 (10-10)	3.31 (10-10)
B Overall width (over tyres)	1.43 (4-8)	1.58 (5-2)	G Rear frame width (over tyres)	1.41 (4-7)	1.56 (5-1)
C Axle centreline distance	1.07 (3-6)	1.07 (3-6)	H Height of boom in carry position	2.22 (7-3)	2.21 (7-3)
D Slew centre to rear axle centre distance	0.87 (2-10)	0.87 (2-10)	J Stabiliser feet clearance	0.27 (0-10)	0.26 (0-10)
E Total travel length	3.40 (11-2)	3.40 (11-2)	K Kingpost clearance	0.33 (1-1)	0.32 (1-1)

GROUND LINE ANGLES

- A Approach angle 52°
- B Interface angle/ramp to ground plane 132°
- C Departure angle 23°



10 x 16.5 tyres

OPERATING WEIGHT AND MACHINE RATING

SAE operating weight. Fully operational with Quickhitch, standard shovel, full fuel tank, canopy and 18" (450mm) excavator bucket.

Machine model	ICX
	kg (lb)
Weight	2850 (6283)
Loader rated operating capacity	610 (1346)
Pallet fork operating capacity	480 (1060)
Tipping load @ 400mm load centre (EEC 86/663)	960 (2120)

ENGINE

		ICX
Model		Perkins 404D-22
Displacement	litres	2.2
Fuel		Diesel
Cooling		Water
Bore	mm	84
Stroke	mm	100
Gross power @ 2800 rpm		
ISO 14396	kW (hp)	37.3 (50)
Gross torque @ 1800 rpm		
ISO 14396	Nm (lb/ft)	143 (105)
Emission certification		EC Stage IIIA/USA EPA Tier 3
Engine oil service intervals		500 hours

CONTROLS

Loader and Transmission:

Hydraulic over hydraulic servos reduce lever efforts to a minimum. Twin ergonomic joystick controls mounted on the seat are well positioned for easy use. Optional dual hand control pattern. Joystick mounted auxiliary control push buttons for straightforward control of attachments.

Excavator:

Standard ISO Plus pattern control is logical as well as easy to both learn and operate. Optional JCB Plus or diagonal controls.

LIGHTING AND ELECTRICS

12 volt direct electric starting with 50 amp alternator and standard thermostart start aid.

- Heavy duty harness with secured sealed connectors for protection against both water and dust ingress. The connectors conform to IP67 (DIN 40 050) standards. A woven nylon outer covering protects the harness against abrasion and also improves its resistance to water penetration.
- Standard battery 95A hour low maintenance.

Ignition, working lights, park brake and detented auxiliary control switches mounted in right hand control panel.

Also incorporated in the side panel are the hourmeter and warning light cluster which includes a warning buzzer to draw operator's attention to any malfunction.

Located in the side panel is a well protected fuse box designed to keep dirt and grime out.

Relay box is positioned inside the console.

Road lighting is available as an option as is a reverse alarm.

Working lights are fitted as standard.

TRANSMISSION

Full servo controlled hydrostatic transmission giving zero to maximum speed, both forward and reverse, at full power.

Independent transmission systems for both the left and right side, controlled through servo hand controls for precise and easy operation.

Travel speeds 0 – 11 km/h forward and reverse.

OPERATOR ENVIRONMENT

Full ROPS/FOPS canopy with soundproofing.

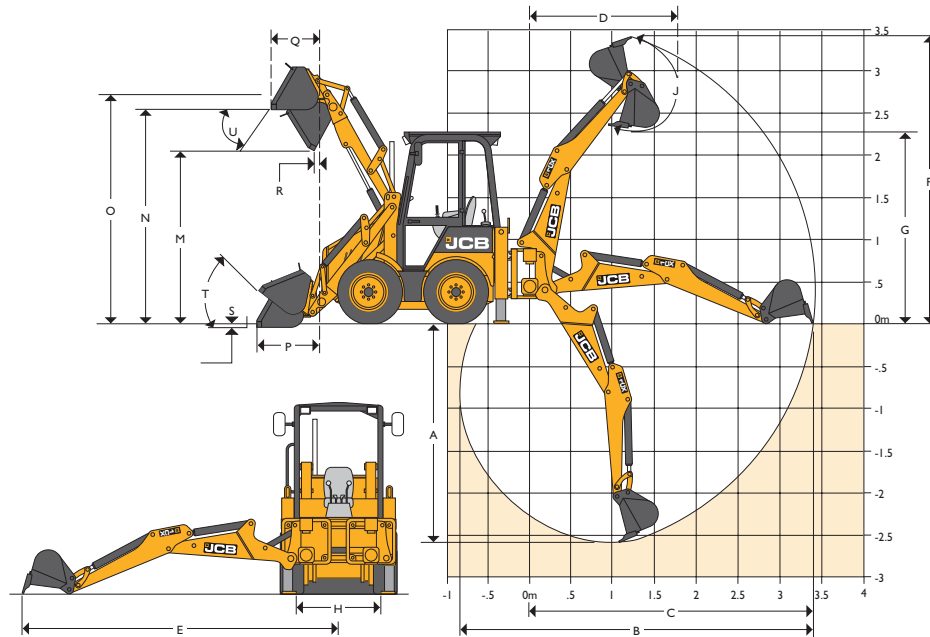
- Seat belt fitted as standard.
- Exceptional all-round visibility.
- Optional front screen.
- Fully glazed cab option.
- Low canopy option.
- JCB impact protection kit.
- Ergonomically designed controls.

BACKHOE DIMENSIONS AND PERFORMANCE

Machine model		ICX	ICX SM	
A	SAE Maximum dig depth	m (ft-in)	2.55 (8-4)	2.55 (8-4)
	SAE Maximum dig depth 2ft flat bottom	m (ft-in)	2.49 (8-2)	2.49 (8-2)
B	SAE Reach - ground level to rear wheel centre	m (ft-in)	4.24 (13-11)	4.24 (13-11)
C	SAE Reach - ground level to slew centre	m (ft-in)	3.38 (11-1)	3.38 (11-1)
D	SAE Reach - at full height to slew centre	m (ft-in)	1.79 (5-10)	1.79 (5-10)
E	SAE Slide reach - to centre line of machine	m (ft-in)	3.83 (12-6)	3.83 (12-6)
F	SAE Maximum working height	m (ft-in)	3.44 (11-3)	3.44 (11-3)
G	SAE Maximum loadover height	m (ft-in)	2.35 (7-8)	2.35 (7-8)
H	SAE Total kingpost travel	m (ft-in)	0.99 (3-3)	0.99 (3-3)
J	SAE Bucket rotation	degrees	202	202
	SAE Bucket tearout	kg (lb)	2201 (4852)	2201 (4852)
	SAE Dipper tearout	kg (lb)	1488 (3280)	1488 (3280)

LOADER DIMENSIONS AND PERFORMANCE

Machine model		ICX	ICX SM	
M	Dump height	m (ft-in)	2.10 (6-10)	2.10 (6-10)
N	Loadover height	m (ft-in)	2.51 (8-2)	2.51 (8-2)
O	Pin height	m (ft-in)	2.70 (8-10)	2.70 (8-10)
P	Reach at ground (toe plate horizontal)	m (ft-in)	0.84 (2-9)	0.84 (2-9)
Q	Max reach at full height	m (ft-in)	0.63 (2-1)	0.63 (2-1)
R	Reach at full height - fully dumped	m (ft-in)	0.30 (0-11)	0.30 (0-11)
S	Dig depth (toe plate horizontal) clearance	m (ft-in)	0.05 (0-2)	0.05 (0-2)
T	Rollback at ground	degrees	35	35
U	SAE Dump angle	degrees	50	50
	SAE Loader breakout - shovel	kg (lb)	2350 (5179)	2350 (5179)
	SAE Maximum hydraulic lift capacity	kg (lb)	2400 (5290)	2400 (5290)
	Shovel capacity		0.28m ³ (0.30yd ³)	0.28m ³ (0.30yd ³)





BRAKES

The JCB hydrostatic transmission control provides the primary braking service. For parking, the JCB fail safe braking system features oil-immersed, multi-disc brakes for long life and fade-free braking. Operation is spring-on, hydraulic pressure off, activated through electrical parking brake switch.

TYRES

Standard	7 x 15	NHS 6PR
Optional	10 x 16.5	NHS 6PR

The standard flotation tyres are fitted for most applications. For arduous conditions JCB Airboss tyres are recommended. Grassland tyres are available for applications where ground disturbance needs to be minimised.

HYDRAULICS

In addition to the main hydrostatic drive pumps, there is a dedicated loader, backhoe and attachments supply pump. Both the main transmission and the loader controls are servo operated, for ease of use and precise control.

- Low lever efforts give excellent and easy control of transmission, loader, backhoe and attachments.
- Loader joystick incorporates rocker switch control of attachments.
- Full flow, spin-on type hydraulic oil filter.
- Engine oil throughout for ease of servicing.
- Optional hammer pipework.
- The optional hi-flow circuit provides 100 litres/min pump flow to the front of the machine for operation of high capacity attachments such as cold planers and trenchers.
- Auxiliary hand tools circuit.

Machine model	ICX
Pump flows @2800 rpm	l/min (gal/min)
Main pump output	45 (9.9)
System working pressure	bar (lbf/sq in)
Backhoe and loader	207 (3000)

SERVICE CAPACITIES

Machine model	ICX
	ltr (gal)
Hydraulic system incl. tank	45 (9.9)
Fuel tank	45 (9.9)
Chain cases	10 (2.2)
Engine coolant	8 (1.75)
Engine oil	9.6 (2.5)

STANDARD EQUIPMENT

ROPS/FOPS canopy
 Working lights
 Hand and foot throttles
 Seat mounted servo controls
 Seatbelt
 ISO Plus excavator controls
 Mechanical loader quickhitch
 Self leveling

OPTIONAL EQUIPMENT

Fully glazed ROPS/FOPS cab
 Road lights
 Flashing beacon
 Face level fan
 External mirrors
 JCB pattern excavator controls
 Auxiliary hydraulic supply to loader
 Front shovel float
 Auxiliary hand tool circuit
 Excavator bucket quickhitch
 Excavator auxiliary circuit
 Large stabilizer feet
 Street pads
 JCB Airboss tyres
 Grassland tread tyres
 Reverse alarm
 Fire extinguisher
 Air filter pre-cleaner
 Servo dual hand control pattern



JCB Sales Limited, Rocester, Staffordshire, United Kingdom ST14 5JP. Tel: +44 (0)1889 590312 Email: salesinfo@jcb.com
Download the very latest information on this product range at: www.jcb.com

©2009 JCB Sales. All rights reserved. No part of this publication may be reproduced, stored in a retrieval system, or transmitted in any form or by any other means, electronic, mechanical, photocopying or otherwise, without prior permission from JCB Sales.
JCB reserves the right to change specifications without notice. Illustrations and specifications shown may include optional equipment and accessories. The JCB logo is a registered trademark of J C Bamford Excavators Ltd.

